

A custom-built Cavalier



The Cavalier can be equipped optionally with long booms and rearward-facing transport position for better view during transport (MBK 418).



For countries where you drive on the left, the Cavalier can also be mounted on the left-hand side of the tractor.



An example of a special version of the Cavalier. The pumps are connected to the front PTO and the hydraulic tank is placed above the left front wheel. In this model, the back lifting device and PTO remain available, for example for a side flail mower.



A support leg or support wheel is available for extra stability. A safe option, which also ensures even more job satisfaction.



TECHNICAL SPECIFICATIONS CAVALIER MBK411

Pump capacity at 1000 rpm PTO

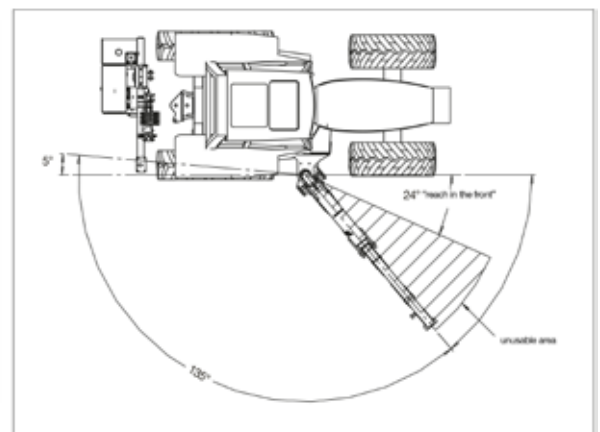
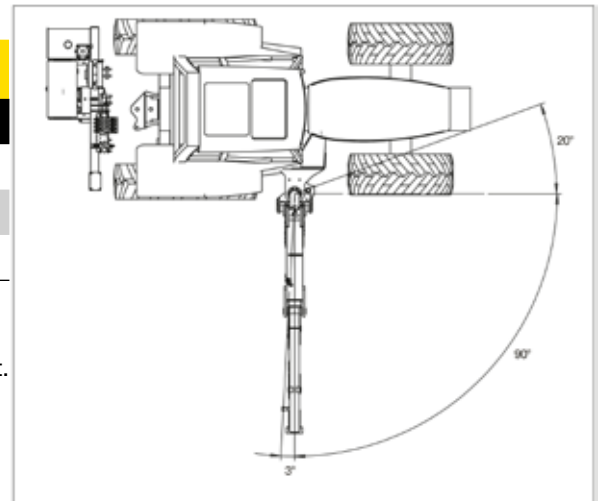
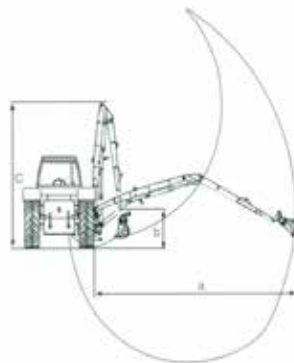
• Tools 150 bar	10-40 l
• Tools 330 bar	90 l
• Float position	14 l
• Control valve	60 l
• Minimum tractor power	60 kW
• Minimum tractor weight	4500 kg
• Oil cooler	Yes
• Tank volume – hydraulic oil	150 l
• HERDER quick connect for work tool	No (optional)
• Lifting capacity with standard boom length	600 kg
• Standard working radius with mowing bucket	550 cm

CAVALIER BOOM COMBINATIONS

Boom combination	Size a	Size b	Size c
1+2	5.50 m	1.3 m	3.5 m
1L+2L	6.60 m	1.3 m	4.0 m
1L+2LS	7.35 m	1.3 m	4.0 m

- a) Working radius with mowing bucket from the pivot.
 b) Height of top bush on boom 2*
 c) Transport height* with RL300.SS mowing bucket

* Dimensions depend on tractor type and work tools



You will achieve more with Herder



CAV-EN-03

www.herder.nl

Achieve top performance with the Herder Cavalier



CAVALIER



Work wherever you want with the Herder Cavalier

With the Cavalier from Herder you take on a compact all-rounder. A reliable and sturdy tool carrier you can depend on under all conditions. The Cavalier's compact dimensions make it very versatile in use. No fewer than 15 different work tools are available for the Cavalier. Maintaining ditches, verges and vegetation is no problem at all with this Herder machine. The mowing arm can be installed on the left or right side of the Cavalier. The standard mowing arm lengths are 5.50 and 7.35 metres. You can also equip the Cavalier with extra long booms. The option of rearward-facing transport position gives you better view when you drive the Cavalier. The mowing arm does not obstruct the view of the driver when on the road. Let us tell you about the possibilities.



Maximum performance, accurate to within a millimetre

It is quite an experience to work with the Cavalier. The operator can count on an ergonomic workplace because he can concentrate totally on the work at hand. An extra advantage is the optimal view under all conditions. The joystick provides for extremely accurate operation of the booms, making it possible to work quickly and accurately.

The machine can be equipped with extra hinge points in the boom in order to satisfy road traffic legislation when using longer boom lengths. When the mowing arm is in the transport position, it meets the legal requirements.

Application in ditches



The Cavalier with a mowing bucket. You can work quickly and are also ensured of a great end result.

Application on verges



For verge maintenance, you can equip your Cavalier with an economical ecomower, for example.

Efficient work starts with ergonomic operation

It is a pleasure to work with the Cavalier. Its operation is simple. Both the joystick and the control box are easily accessible and close at hand. The joystick has been programmed with a logical order of operation, making it easy for you to work. The arrangement of the control box is also logical, so it is clear and user-friendly.



Simple and effective equipment is standard



*Front axle stabilisation is no luxury, but a real necessity.
On the left a fixed front axle and on the right a suspended front axle.*



*Work tool carrier on the front of the mounting frame.
The boom rests on it in the transport position.*



Simple but functional hydraulic unit carried in the 3-point linkage of the tractor, combined with a transport support on the back.



Back lights attached by magnet allow flexible use of lighting and can be used on all possible work tools.

