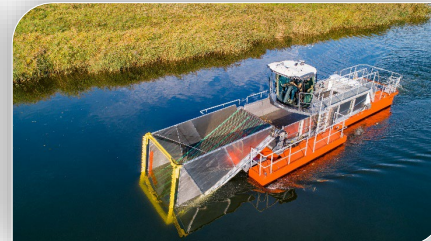




Machines Conver



C420

- Maaiboot / Bateau faucardeur
- L = 5,50m
- B/l = 1,68m
- H = 0,85m
- HP = 18,9 kW (25pk)
- StageV
- ES-TRIN



C455

- Maaiboot / Bateau faucardeur
- L = 4,80m
- B/l = 1,55m
- H = 0,95m
- HP = 35 kW (48pk)
- StageV
- ES-TRIN



C485



- Maaiboot / Bateau faucardeur
- L = 4,80m
- B/l = 1,86m
- H = 0,95m
- HP = 35 kW (48pk)
- StageV
- ES-TRIN

C485-E

- Maaiboot / Bateau faucardeur
- L = 4,80m
- B/l = 1,86m
- H = 0,95m
- HP = 75kWh
- ES-TRIN



C485-F



- Maaiboot / Bateau faucardeur
- L = 4,80m
- B/l = 1,86m
- H = 0,95m
- HP = 35 kW (48pk)
- StageV
- ES-TRIN

C485-E/F

- Maaiboot / Bateau faucardeur
- L = 4,80m
- B/l = 1,86m
- H = 0,95m
- HP = 75kWh
- ES-TRIN



C485-D

- Duwboot / Bateau pousseur
- L = 4,80m
- B/l = 1,86m
- H = 0,95m
- HP = 50 kW (68pk)
- StageV
- ES-TRIN



C485-XL

- Maaiboot / Bateau faucardeur
- L = 5,91m
- B/l = 2,40m
- H = 0,95m
- HP = 35 kW (48pk)
- StageV
- ES-TRIN



CONVER

C485-XL/F

- Maaiboot / Bateau faucardeur
- L = 5,91m
- B/l = 2,40m
- H = 0,95m
- HP = 35 kW (48pk)
- StageV
- ES-TRIN

PIVABO



C96

- Maaiboot / Bateau faucardeur
- L = 5,00m
- B = 2,20m
- H = 0,80m
- HP = 50 kw (68pk)
- Stage IIIB
- ES-TRIN



C585

- Amfibische machine /
Engin amphibie
- L = 5,10m
- B/l = 1,90m
- H = 1,65m
- HP = 55 kW (75pk)
- StageV
- ES-TRIN



MC101

- Maaiverzamelboot /
Bateau faucardeur
ramasseur
- L = 7,70m
- B/l = 2,40m
- H = 1,90m
- HP = 35 kW (48pk)
- StageV
- ES-TRIN

- 2M3 / 750kg vegetatie /
végétation



MC103

- Maaiverzamelboot /
Bateau faucardeur
ramasseur
- L = 11,7m
- B/l = 3,46m
- H = 2,96m
- HP = 55 kW (75pk)
- StageV
- ES-TRIN

- 8M3 / 2500kg vegetatie /
végétation





MC106

- Maaiverzamelboot /
Bateau faucardeur
ramasseur
- L = 16,65m
- B/l = 4,75m
- H = 4,22m
- HP = 74 kW (100pk)
- StageV
- ES-TRIN

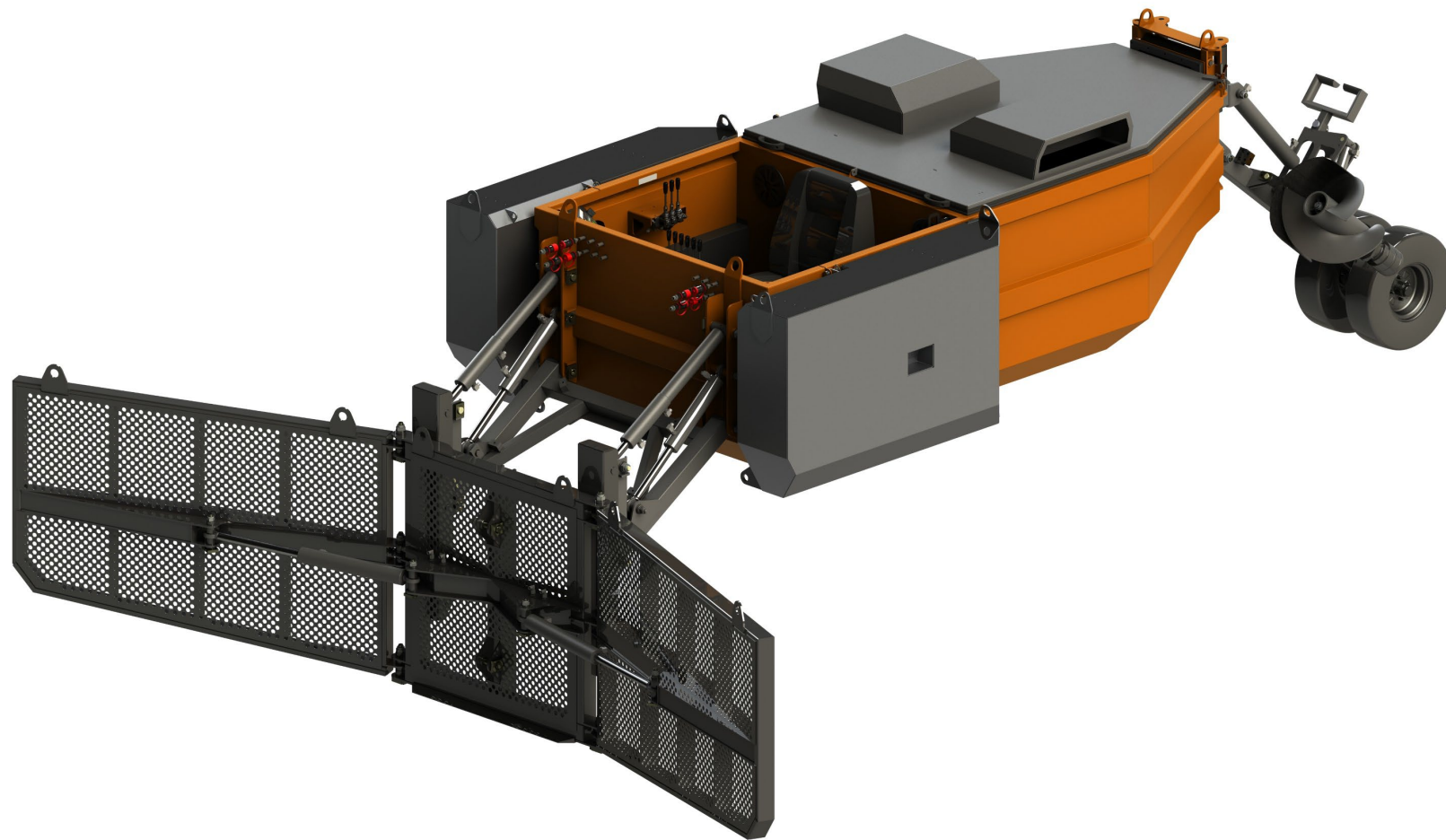
- 18M3 / 5000kg vegetatie
/ végétation

C81

- Baggerboot / Bateau de dragage
- L = 2,10m
- B/l = 1,05m
- H = 0,90m
- HP = 7 kW (10pk)
- ES-TRIN

- 2,90m werkbreedte / largeur de travail





C83

- Silt / dredge pusher
- L = 6,70m
- B = 2,10m
- H = 1,03m
- HP = 7 kw (10pk)
- ES-TRIN

- 4,60m werkbreedte /
largeur de travail

C86



- Baggerboot / Bateau de dragage
 - L = 8,0m
 - B/l = 1,8m
 - H = 1,3m
 - HP = 36 kW (49pk)
 - StageV
 - ES-TRIN
-
- 9m werkbreedte / largeur de travail

C86-E



- Baggerboot / Bateau de dragage
- L = 8,0m
- B/l = 1,8m
- H = 1,3m
- HP = 70 kWh
- ES-TRIN

- 9m werkbreedte / largeur de travail

C36



- Maai-harkcombinatie / Combinaison faucheuse-racleur
- Only Fendt F/V/P
- Fendt smalspoor / voie étroite
- Zonder tractor / Sans tracteur

CTP-485



- Boottrailer / Remorque-bateau
- L = 7,10m
- B/l = 2,75m
- Snelheid/vitesse = max. 30 km/h
- Capaciteit / capacité = 3000 kg
- Nummerplaat / Plaque d'immatriculation

CTP-420



- Boottrailer / Remorque-bateau
- L = 7,40m
- B/l = 2,30m
- Snelheid / vitesse = 90 km/h
- Capaciteit / capacité = 2400 kg

C84



- Beunbak / Barge
- Optionele navigatiekit /Kit de navigation en option 12m³/18m³
- B/l = 2,5m/ 3,0m
- L = 8,0m
- H = 1,5m

Werktuigen/outils

